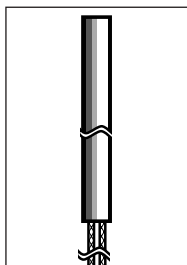


D

Heizpatronen



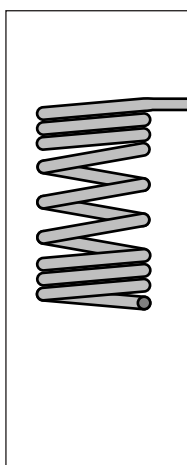
- Hochleistungs-Heizpatronen, metrisch
- Hochleistungs-Heizpatronen, zöllig
- Heizpatronen, verdichtet
- Heizpatronen, unverdichtet
- Anschlußvarianten
- Ein- und Ausbauhilfen

GB

Cartridge heaters

- | | | |
|--------------------------------------|------------|------------|
| High-duty cartridge heaters, metric | Seite/Page | 3.1 |
| High-duty cartridge heaters, inch | Seite/Page | 3.2 |
| Cartridge heaters, compressed | Seite/Page | 3.3 |
| Cartridge heaters, low wattage | Seite/Page | 3.4 |
| Lead variations | Seite/Page | 3.5 |
| Chucking reamers, removal assistance | Seite/Page | 3.6 |

Wendelrohrpatronen



- INFO
- Anschlußausführungen, -varianten
 - Wendelrohrpatrone, \varnothing 1,8 mm
 - Wendelrohrpatrone, \varnothing 1,3x2,3 mm
 - Wendelrohrpatrone, mit Manschette
 - Wendelrohrpatrone, \varnothing 3,3 mm
 - Wendelrohrpatrone, \varnothing 3x3 mm
 - Wendelrohrpatrone, \varnothing 2,2x4,2 mm
 - Wendelrohrpatrone, in Messing eigegossen
 - Wendelrohrpatrone, \varnothing 4,6x8,6 mm
 - Wendelrohrpat., 4,6x8,6 mm in Stahlmanschette

Coil heaters

- | | | |
|---|------------|-------------|
| INFO | Seite/Page | 3.7 |
| Connection and lead options | Seite/Page | 3.8 |
| Coil heaters, \varnothing 1,8 mm | Seite/Page | 3.9 |
| Coil heaters, \varnothing 1,3x2,3 mm | Seite/Page | 3.9 |
| Coil heaters with clamping band | Seite/Page | 3.10 |
| Coil heaters, \varnothing 3,3 mm | Seite/Page | 3.11 |
| Coil heaters, \varnothing 3x3 mm | Seite/Page | 3.12 |
| Coil heaters, \varnothing 2,2x4,2 mm | Seite/Page | 3.13 |
| Coil heaters, casted in brass | Seite/Page | 3.14 |
| Coil heaters, \varnothing 4,6x8,6 mm | Seite/Page | 3.15 |
| Coil heaters, 4,6x8,6 mm with clamping band | Seite/Page | 3.16 |

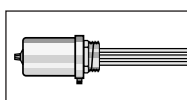


Rohrheizkörper

- INFO
- Rohrheizkörper

Tubular heating elements

- | | | |
|--------------------------|------------|-------------|
| INFO | Seite/Page | 3.17 |
| Tubular heating elements | Seite/Page | 3.18 |



Einschraub-Heizkörper

Screw-in heating elements

- | | |
|------------|-------------|
| Seite/Page | 3.19 |
|------------|-------------|



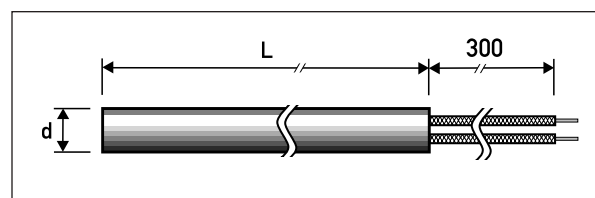
Hochleistungs-Heizpatronen
High-duty cartridge heaters

HP 10 • DIN VDE 0721 metrisch / metric

... Stk. / HP 10 / 6,5x40 / 100W / 230V -

Ausführung: Geschliffener CrNi-Stahlmantel,
Werkstoff-Nr. 1.45 41
Gasdicht eingeschweißter
Patronenboden

Anschlußleitung: 300 mm lang
Schutzklasse 1 (bei 230V),
Varianten siehe Seite 3.5



Spezifikation: CrNi-Steel, surface rectification
Material-No. 1.45 41
Disc welded end to
prevent contamination

Connection leads: 300 mm long
Variations see page 3.5

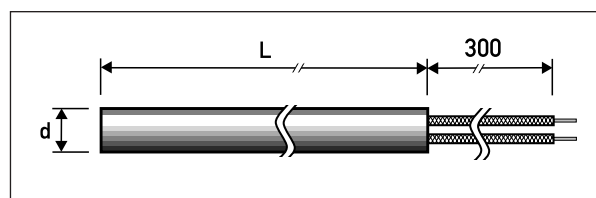
d (mm):	± (mm)	L (mm):	Watt /230 V:												
6,5	- 0.01 -- - 0,03	40	100	125	160	175	200								
6,5		50	100	125	160	200	250								
6,5		60	125	160	200	250	315								
6,5		80	125	160	180	200	250	280	315	350					
6,5		100	100	160	200	250	315	350	400						
6,5		130	220	350											
6,5	160	350	400												
8,0	- 0.01 -- - 0,03	40	100	160	200	250									
8,0		50	125	160	200	250	315	250	280	315					
8,0		60	100	125	140	160	200	500							
8,0		80	160	200	250	315	400								
8,0		100	200	250	280	315	400								
8,0		130	250	315	400										
8,0	160	200													
10,0	- 0.02 -- - 0,04	40	100	125	200	250	315								
10,0		50	100	160	200	250	315	400							
10,0		60	125	160	200	250	315	400	500						
10,0		80	160	200	250	315	400	500	630						
10,0		100	160	200	250	315	400	500	560	630	800				
10,0		130	315	400	500	630	800								
10,0		160	400	630											
10,0		200	400	630											
10,0	250	630	800	1000											
12,5	- 0.02 -- - 0,04	40	100	160	200	250	315	400							
12,5		50	100	125	160	200	250	315	400	500					
12,5		60	125	160	200	250	315	400	500						
12,5		80	200	250	315	400	500	630	800						
12,5		100	250	315	400	500	630	800	1000						
12,5		130	400	500	630	800	1000								
12,5		160	500	630	800	1000	1250								
12,5		180	800	1000											
12,5		200	630	800											
12,5		250	800	900	1500										
12,5		300	600	1500	2000										
16,0	- 0.02 -- - 0,04	40	100	160	200	250	315	400	500						
16,0		50	160	200	250	315	400	500	630						
16,0		60	160	200	250	315	400	500	630						
16,0		80	250	315	400	500	630	800	1000	1250					
16,0		100	315	400	500	630	800	1000	1250						
16,0		130	500	630	800	1000	1400								
16,0		160	630	800	1000	1250	1600								
16,0		180	1000	1250	1800										
16,0		200	800	1000	1250	1600	2000								
16,0		250	1000	1250	1600	2000									
16,0		300	1250	1800											
20,0	- 0.03 -- - 0,05	50	200	250	315	400									
20,0		60	200	315	500	630	800								
20,0		80	400	500	630	800	1000	1250	1600						
20,0		100	400	630	800	1000	1250	1600							
20,0		130	630	800	1000	1250	1600	2000							
20,0		160	1000	1250	1600	2000	2500								
20,0		200	1250	1600	2000	2500	3150								
20,0		250	1600	2000	2500	3150									
20,0	300	2000	2500	3150	4000										

HP 12 • DIN VDE 0721 zöllig / inch

... Stk. / HP 12 / 1/4x1 1/2 / 100 W / 230 V -

Ausführung: Geschliffener CrNi-Stahlmantel,
Werkstoff-Nr. 1.45 41
Gasdicht eingeschweißter
Patronenboden

Anschlußleitung: 300 mm lang
Schutzklasse 1 (bei 230V),
Varianten siehe Seite 3.5



Spezifikation: CrNi-Steel, surface rectification
Material-No. 1.45 41
Disc welded end to
prevent contamination

Connection leads: 300 mm long
Variations see page 3.5

d (Zoll, [mm]):	± (mm)	L (Zoll, [mm])	Watt /230 V:																				
1/4" [6,35]	-0.01 -- -0,03	1 1/2" [38,1]	100	125	160	175	200																
1/4" [6,35]		2" [50,8]	100	125	150	200	250																
1/4" [6,35]		2 1/2" [63,5]	125	200	250	315																	
1/4" [6,35]		3" [76,2]	200	250	300																		
1/4" [6,35]		3 1/4" [82,6]	125	180	280	350																	
1/4" [6,35]		4" [101,6]	160	220	250	350																	
3/8" [9,53]	-0.02 -- -0,04	1 1/2" [38,1]	100	125	160	200	250	315															
3/8" [9,53]		2" [50,8]	100	125	160	250	300	315	400	500													
3/8" [9,53]		2 1/2" [63,5]	125	180	250	315	400	500	600														
3/8" [9,53]		3" [76,2]	100	150	250	300	400	500	600														
3/8" [9,53]		3 1/4" [82,6]	160	250	400	500	630																
3/8" [9,53]		4" [101,6]	150	220	250	300	350	400	500	560	600												
3/8" [9,53]		5" [127,0]	300	500	750																		
3/8" [9,53]		5 1/4" [133,4]	315	400	500	800																	
3/8" [9,53]		6" [152,4]	400	500	600	750																	
3/8" [9,53]		6 1/2" [165,1]	400	630																			
1/2" [12,7]	-0.02 -- -0,04	1 1/2" [38,1]	100	125	160	200	250																
1/2" [12,7]		2" [50,8]	100	200	250	300	400	500															
1/2" [12,7]		2 1/2" [63,5]	125	150	200	250	315	400	500														
1/2" [12,7]		3" [76,2]	150	200	300	400	500	600	750														
1/2" [12,7]		3 1/4" [82,6]	200	315	500	630	800																
1/2" [12,7]		4" [101,6]	250	400	500	630	750	800	1000														
1/2" [12,7]		5" [127,0]	250	400	500	750	900																
1/2" [12,7]		5 1/4" [133,4]	400	630	1000	1250																	
1/2" [12,7]		6" [152,4]	500	600	750	1000																	
1/2" [12,7]		6 1/2" [165,1]	500	800	1250																		
1/2" [12,7]		7" [177,8]	600	800	1000																		
1/2" [12,7]		8" [203,2]	630	900	1000	1500	2000																
1/2" [12,7]	10" [254,0]	1500																					
1/2" [12,7]	12" [304,8]	1500	2000																				
5/8" [15,88]	-0.02 -- -0,04	1 1/2" [38,1]	100	250	315	400																	
5/8" [15,88]		2" [50,8]	160	250	300	400	500	630															
5/8" [15,88]		2 1/2" [63,5]	160	250	300	400	500	630															
5/8" [15,88]		3" [76,2]	300	400	500	600	750	1000															
5/8" [15,88]		3 1/4" [82,6]	280	400	630	800	1000																
5/8" [15,88]		4" [101,6]	350	400	500	600	750	800	1000	1250													
5/8" [15,88]		5" [127,0]	500	750	1000	1300																	
5/8" [15,88]		5 1/4" [133,4]	500	700	1100	1400	1800																
5/8" [15,88]		6" [152,4]	800	1000	1250	1600																	
5/8" [15,88]		6 1/2" [165,1]	630	900	1600	1800																	
5/8" [15,88]		7" [177,8]	1000	1250	1600																		
5/8" [15,88]		8" [203,2]	800	1000	1250	1500	2000																
5/8" [15,88]		10" [254,0]	1000	1500	2000																		
5/8" [15,88]		12" [304,8]	1250	1800																			
3/4" [19,01]	±0.01	auf Anfrage on request																					

Info:
Sämtliche Lagerabmessungen in metrisch und zöllig
der Seiten 3.1 und 3.2 sind auch ab Lager mit eingebautem
Thermoelement FeCuNi Typ L lieferbar.
(Anschlussleitung hier 500 mm lang.)

Info:
All the stock types in metric and inch-sizes on pages 3.1 and 3.2
are also available with integrated thermocouple FeCuNi type L at
once from stock!
(Leads in this case 500 mm lang)

Heizpatronen, verdichtet
Cartridge heaters, compressed

HP 15

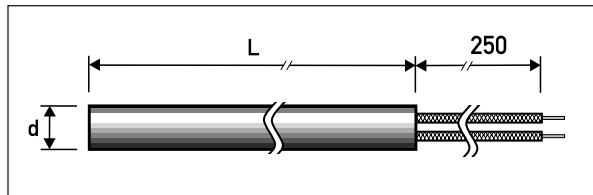
... Stk./ HP 15 / 10x100 / 125 W / 230 V -

Ausführung: Verdichtete Heizpatrone, in Magnesiumoxyd eingebettete Heizspirale

Anschlußleitung: 250 mm lang, glasseidenisoliert
Varianten siehe Seite 3.5

Specification: Highly compressed cartridge heater, heating spiral embed in magnesiumoxyd

Connection leads: 250 mm long, glas silk insulated
Variations see page 3.5



d (mm):	± (mm):	L (mm):	Watt / 230 V:	
10,0	0,1	100	125	160
10,0	0,1	130	200	250
10,0	0,1	160	250	315
10,0	0,1	200	300	350
12,5	0,1	100	160	200
12,5	0,1	130	220	315
12,5	0,1	160	315	400
12,5	0,1	200	400	500
12,5	0,1	250	500	600
12,5	0,1	300	600	750
16,0	0,1	100	200	280
16,0	0,1	130	280	350
16,0	0,1	160	315	400
16,0	0,1	200	450	600
16,0	0,1	250	550	700
16,0	0,1	300	700	800
20,0	0,1	100	250	350
20,0	0,1	130	350	400
20,0	0,1	160	400	500
20,0	0,1	200	630	700
20,0	0,1	250	700	800
20,0	0,1	300	1000	1250

- Normalspannung 230 V, andere Abmessungen, sowie Leistungen und Spannungen auf Anfrage
- Standard supply 230 V, other sizes, or wattages and voltages on request

HP 16

... Stk. / HP 16 / 10x65 / St / W / 230V -

Ausführung: **St:** Nahtlos gezogenes Präzisionsstahlrohr
Ms: Messingrohr, bis max.250°C
CN: Edelstahlrohr W-Nr. 1.4541 (V2A)

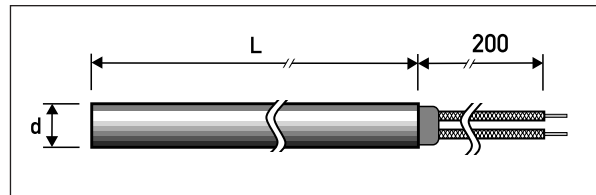
Anschlußleitung: 200 mm lang
Varianten siehe Seite 3.5

Aufnahmebohrung: +0,2 - +0,5 mm

Specification: **St:** Tubular steel
Ms: Brass tubular, max.250°C
CN: High grade steel tubular 1.4541 (V2A)

Connection leads: 200 mm long
Variations see page 3.5



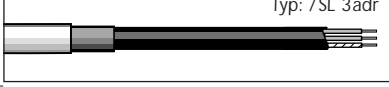

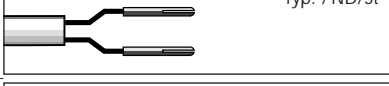


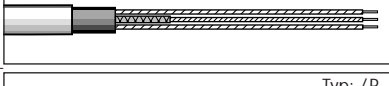
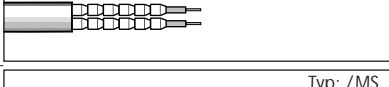
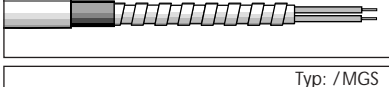

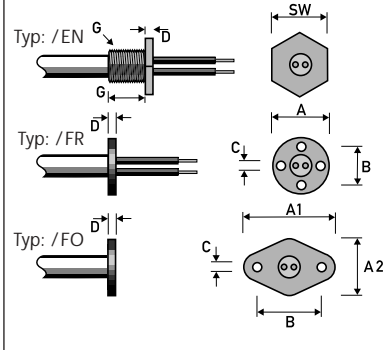
Bore tolerance: +0,2 - +0,5 mm



d (mm): ± (mm)	Material:			Richtwertetabelle: Mantellänge / Leistung [L:Watt] (230V) Approximate value chart for power, low watt at 230V												
	St	Ms	CN	L (mm):	65	80	100	125	160	200	250	320	400	500	630	800
9,45 10,00 ± 0,10 11,00 11,30	κ κ κ κ	κ κ κ κ	κ κ κ κ		65	80	100	125	160	200	250	320	400	500	630	800
12,00 12,50 ± 0,10 12,57 12,70	κ κ κ κ	κ κ κ κ	κ κ κ κ		80	100	125	160	200	250	320	400	500	630	800	1000
14,00 15,00 ± 0,10 15,80 16,00	κ κ κ κ	κ κ κ κ	κ κ κ κ		110	140	180	220	280	350	450	550	700	850	1100	1400
16,50 17,00 ± 0,10 17,50 18,00	κ κ κ κ	κ κ κ κ	κ κ κ κ		125	160	200	250	320	400	500	630	800	1000	1250	1600
19,00 19,50 ± 0,15 20,00 21,00	κ κ κ κ	κ κ κ κ	κ κ κ κ		160	200	250	320	400	500	630	800	1000	1250	1600	2000
23,00 24,00 ± 0,15 25,00	κ κ κ	κ κ κ	κ κ κ		200	250	320	400	500	630	800	1000	1250	1600	2000	2500
31,50 32,00 ± 0,15	κ κ	κ κ	κ κ		250	320	400	500	630	800	1000	1250	1600	2000	2500	3200
40,00 ± 0,20	κ	κ	κ		320	400	500	630	800	1000	1250	1600	2000	2500	3200	4000

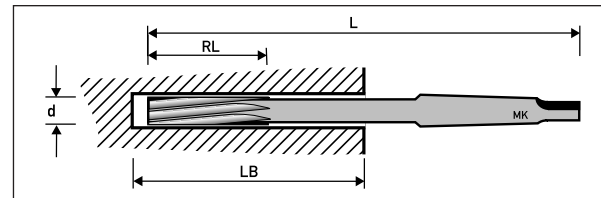
- Normalspannung 230 V, andere Abmessungen, sowie Leistungen und Spannungen auf Anfrage
- Standard supply 230 V, other sizes, or wattages and voltages on request

Heizpatronen
Cartridge heaters

Anschlußvarianten / Lead variations: HPS 10/12, HP 15/16		...Stk./HP./...x../..W/..V/A:KL-																																																																																																																																																																					
Kaptonisolierte Nickellitze, 400°C, empfindlich gegen mech. Beschädigungen Kapton-insulated wire leads, 400°C, sensitive against mechanical attack		 Typ: /KL																																																																																																																																																																					
Siliconisierte CU-Litze, 180°C, hochflexibel, für spezielle Abdichtungen (z.B. wasserdichte Patronen) High flexible silicone-insulated cu-wire leads. Suited for making heaters watertight. 180°C		 Typ: /SL																																																																																																																																																																					
3-adrig, Silicon- oder Neopren isoliert, spritzwassergeschützt Silicon or neopren insulated wire leads with 3 cores		 Typ: /SL 3adr																																																																																																																																																																					
Starre Nickeldrähte, angecrimpte flexible Litzen, Ausführung/Länge nach Wunsch Rigid nickel wires with crimped flexible cords		 Typ: /ND																																																																																																																																																																					
Steckerstift a. Messing auf starre Nickeldrähte gelötet Pins (brass), soldered at nickel wires		 Typ: /ND/St																																																																																																																																																																					
Glasseidenschuttschlauch für zus. Abschirmung, S1: über beide Zuleitungen S2: über jede Zuleitung		 Typ: /S1																																																																																																																																																																					
Fibreglass-sleeve covering the entire surface S1: solo sleeve S2: covering each individual lead		 Typ: /S2																																																																																																																																																																					
Mit besonders gekennzeichnetem Schutzleiter, mit Patronenmantel fest verbunden Additional protective lead, connected to cartridge casing, separately marked		 Typ: /E																																																																																																																																																																					
Keramische Perlisolatoren für Temp. >280°C Additional ceramic beads for temp. >280°C		 Typ: /P																																																																																																																																																																					
Zusätzliche flexible Metallschlauchummantelung MS: Metallschlauch gewickelt MGS: Metallflechtschlauch		 Typ: /MS																																																																																																																																																																					
Additional flexible abrasion protection MS: steel armored cover MGS: with metal braided sleeving		 Typ: /MGS																																																																																																																																																																					
Rechtwinklige Anschlüsse, Ausführung: Edelstahl / Stahlguß 90° Connections made from high grade and casted steel		<table border="1"> <thead> <tr> <th>ø</th> <th>6,5</th> <th>8,0</th> <th>10,0</th> <th>12,5</th> <th>16,0</th> <th>20,0</th> <th>1/4"</th> <th>3/8"</th> <th>1/2"</th> <th>5/8"</th> </tr> </thead> <tbody> <tr> <td rowspan="2">AS: Winkel / Angle</td> <td>A</td> <td>12,5</td> <td>14,5</td> <td>18,0</td> <td>19,5</td> <td>22,05</td> <td>25,0</td> <td>12,5</td> <td>18,0</td> <td>19,5</td> <td>22,5</td> </tr> <tr> <td>B</td> <td>6,0</td> <td>7,5</td> <td>9,5</td> <td>12,0</td> <td>15,5</td> <td>19,5</td> <td>6,0</td> <td>9,0</td> <td>12,0</td> <td>15,5</td> </tr> <tr> <td>Wü: Würfel / Cube</td> <td>A</td> <td>10,0</td> <td>10,0</td> <td>15,0</td> <td>15,0</td> <td>20,0</td> <td>25,0</td> <td>10,0</td> <td>15,0</td> <td>15,0</td> <td>20,0</td> </tr> <tr> <td rowspan="3">W: Bogen 90° / Elbow 90°</td> <td>A1</td> <td>15,0</td> <td>18,0</td> <td>23,0</td> <td>25,0</td> <td>23,0</td> <td>28,0</td> <td>15,0</td> <td>23,0</td> <td>25,0</td> <td>23,0</td> </tr> <tr> <td>A1</td> <td>10,0</td> <td>15,0</td> <td>17,0</td> <td>20,0</td> <td>23,0</td> <td>28,0</td> <td>10,0</td> <td>17,0</td> <td>20,0</td> <td>23,0</td> </tr> <tr> <td>A2</td> <td>13,0</td> <td>16,0</td> <td>19,0</td> <td>22,0</td> <td>23,0</td> <td>33,0</td> <td>13,0</td> <td>19,0</td> <td>22,0</td> <td>23,0</td> </tr> </tbody> </table>										ø	6,5	8,0	10,0	12,5	16,0	20,0	1/4"	3/8"	1/2"	5/8"	AS: Winkel / Angle	A	12,5	14,5	18,0	19,5	22,05	25,0	12,5	18,0	19,5	22,5	B	6,0	7,5	9,5	12,0	15,5	19,5	6,0	9,0	12,0	15,5	Wü: Würfel / Cube	A	10,0	10,0	15,0	15,0	20,0	25,0	10,0	15,0	15,0	20,0	W: Bogen 90° / Elbow 90°	A1	15,0	18,0	23,0	25,0	23,0	28,0	15,0	23,0	25,0	23,0	A1	10,0	15,0	17,0	20,0	23,0	28,0	10,0	17,0	20,0	23,0	A2	13,0	16,0	19,0	22,0	23,0	33,0	13,0	19,0	22,0	23,0																																																																												
ø	6,5	8,0	10,0	12,5	16,0	20,0	1/4"	3/8"	1/2"	5/8"																																																																																																																																																													
AS: Winkel / Angle	A	12,5	14,5	18,0	19,5	22,05	25,0	12,5	18,0	19,5	22,5																																																																																																																																																												
	B	6,0	7,5	9,5	12,0	15,5	19,5	6,0	9,0	12,0	15,5																																																																																																																																																												
Wü: Würfel / Cube	A	10,0	10,0	15,0	15,0	20,0	25,0	10,0	15,0	15,0	20,0																																																																																																																																																												
W: Bogen 90° / Elbow 90°	A1	15,0	18,0	23,0	25,0	23,0	28,0	15,0	23,0	25,0	23,0																																																																																																																																																												
	A1	10,0	15,0	17,0	20,0	23,0	28,0	10,0	17,0	20,0	23,0																																																																																																																																																												
	A2	13,0	16,0	19,0	22,0	23,0	33,0	13,0	19,0	22,0	23,0																																																																																																																																																												
<table border="1"> <tbody> <tr> <td>Typ/Type: EN Einschraubnippel, Edelstahl Pipe threaded fitting stainless steel</td> <td>B</td> <td>10,0</td> <td>10,0</td> <td>12,0</td> <td>12,0</td> <td>12,0</td> <td>14,0</td> <td>10,0</td> <td>12,0</td> <td>12,0</td> <td>12,0</td> </tr> <tr> <td></td> <td>D</td> <td>4,0</td> <td>4,0</td> <td>4,0</td> <td>4,0</td> <td>4,0</td> <td>4,0</td> <td>4,0</td> <td>4,0</td> <td>4,0</td> <td>4,0</td> </tr> <tr> <td></td> <td>SW</td> <td>12</td> <td>14</td> <td>17</td> <td>19</td> <td>24</td> <td>30</td> <td>12</td> <td>17</td> <td>19</td> <td>24</td> </tr> <tr> <td></td> <td>G</td> <td>M10x1</td> <td>M12x1</td> <td>M14x1,5</td> <td>M16x1,5</td> <td>M20x1,5</td> <td>M26x1,5</td> <td>R 1/8"</td> <td>R 1/4"</td> <td>R 3/8"</td> <td>R 1/2"</td> </tr> <tr> <td>Typ/Type: FR Flansche, rund / Edelstahl Welded mounting flange, round, stainless steel</td> <td>A</td> <td>18,0</td> <td>18,0</td> <td>27,0</td> <td>27,0</td> <td>43,0</td> <td>43,0</td> <td>18,0</td> <td>27,0</td> <td>27,0</td> <td>43,0</td> </tr> <tr> <td></td> <td>B</td> <td>13,0</td> <td>13,0</td> <td>20,0</td> <td>20,0</td> <td>32,0</td> <td>32,0</td> <td>13,0</td> <td>20,0</td> <td>20,0</td> <td>32,0</td> </tr> <tr> <td></td> <td>C</td> <td>2,2</td> <td>2,2</td> <td>3,2</td> <td>3,2</td> <td>5,5</td> <td>5,5</td> <td>2,2</td> <td>3,2</td> <td>3,2</td> <td>5,5</td> </tr> <tr> <td></td> <td>D</td> <td>1,0</td> <td>1,0</td> <td>1,5</td> <td>1,5</td> <td>2,0</td> <td>2,0</td> <td>1,0</td> <td>1,5</td> <td>1,5</td> <td>2,0</td> </tr> <tr> <td>Typ/Type: FO Flansche, oval / Edelstahl Welded mounting flange, oval, stainless steel</td> <td>A1</td> <td>k</td> <td>k</td> <td>k</td> <td>k</td> <td>60,0</td> <td>60,0</td> <td>k</td> <td>k</td> <td>k</td> <td>60,0</td> </tr> <tr> <td></td> <td>A2</td> <td>k</td> <td>k</td> <td>k</td> <td>k</td> <td>30,0</td> <td>30,0</td> <td>k</td> <td>k</td> <td>k</td> <td>30,0</td> </tr> <tr> <td></td> <td>B</td> <td>k</td> <td>k</td> <td>k</td> <td>k</td> <td>45,0</td> <td>45,0</td> <td>k</td> <td>k</td> <td>k</td> <td>45,0</td> </tr> <tr> <td></td> <td>C</td> <td>k</td> <td>k</td> <td>k</td> <td>k</td> <td>5,5</td> <td>5,5</td> <td>k</td> <td>k</td> <td>k</td> <td>5,5</td> </tr> <tr> <td></td> <td>D</td> <td>k</td> <td>k</td> <td>k</td> <td>k</td> <td>2,5</td> <td>2,5</td> <td>k</td> <td>k</td> <td>k</td> <td>2,5</td> </tr> </tbody> </table>		Typ/Type: EN Einschraubnippel, Edelstahl Pipe threaded fitting stainless steel	B	10,0	10,0	12,0	12,0	12,0	14,0	10,0	12,0	12,0	12,0		D	4,0	4,0	4,0	4,0	4,0	4,0	4,0	4,0	4,0	4,0		SW	12	14	17	19	24	30	12	17	19	24		G	M10x1	M12x1	M14x1,5	M16x1,5	M20x1,5	M26x1,5	R 1/8"	R 1/4"	R 3/8"	R 1/2"	Typ/Type: FR Flansche, rund / Edelstahl Welded mounting flange, round, stainless steel	A	18,0	18,0	27,0	27,0	43,0	43,0	18,0	27,0	27,0	43,0		B	13,0	13,0	20,0	20,0	32,0	32,0	13,0	20,0	20,0	32,0		C	2,2	2,2	3,2	3,2	5,5	5,5	2,2	3,2	3,2	5,5		D	1,0	1,0	1,5	1,5	2,0	2,0	1,0	1,5	1,5	2,0	Typ/Type: FO Flansche, oval / Edelstahl Welded mounting flange, oval, stainless steel	A1	k	k	k	k	60,0	60,0	k	k	k	60,0		A2	k	k	k	k	30,0	30,0	k	k	k	30,0		B	k	k	k	k	45,0	45,0	k	k	k	45,0		C	k	k	k	k	5,5	5,5	k	k	k	5,5		D	k	k	k	k	2,5	2,5	k	k	k	2,5										
Typ/Type: EN Einschraubnippel, Edelstahl Pipe threaded fitting stainless steel	B	10,0	10,0	12,0	12,0	12,0	14,0	10,0	12,0	12,0	12,0																																																																																																																																																												
	D	4,0	4,0	4,0	4,0	4,0	4,0	4,0	4,0	4,0	4,0																																																																																																																																																												
	SW	12	14	17	19	24	30	12	17	19	24																																																																																																																																																												
	G	M10x1	M12x1	M14x1,5	M16x1,5	M20x1,5	M26x1,5	R 1/8"	R 1/4"	R 3/8"	R 1/2"																																																																																																																																																												
Typ/Type: FR Flansche, rund / Edelstahl Welded mounting flange, round, stainless steel	A	18,0	18,0	27,0	27,0	43,0	43,0	18,0	27,0	27,0	43,0																																																																																																																																																												
	B	13,0	13,0	20,0	20,0	32,0	32,0	13,0	20,0	20,0	32,0																																																																																																																																																												
	C	2,2	2,2	3,2	3,2	5,5	5,5	2,2	3,2	3,2	5,5																																																																																																																																																												
	D	1,0	1,0	1,5	1,5	2,0	2,0	1,0	1,5	1,5	2,0																																																																																																																																																												
Typ/Type: FO Flansche, oval / Edelstahl Welded mounting flange, oval, stainless steel	A1	k	k	k	k	60,0	60,0	k	k	k	60,0																																																																																																																																																												
	A2	k	k	k	k	30,0	30,0	k	k	k	30,0																																																																																																																																																												
	B	k	k	k	k	45,0	45,0	k	k	k	45,0																																																																																																																																																												
	C	k	k	k	k	5,5	5,5	k	k	k	5,5																																																																																																																																																												
	D	k	k	k	k	2,5	2,5	k	k	k	2,5																																																																																																																																																												
k: nicht lieferbar / not available																																																																																																																																																																							

Maschinenreibahlen / Chucking reamers

- Glättung der Heizpatronen-Aufnahmebohrungen
- Durchmesser und Länge auf die Heizpatronen Typ **HP 10/12** abgestimmt
- Material: HSS
- For heater length and diameter according to heater Typ **HP 10/12** stock range
- Material: HSS



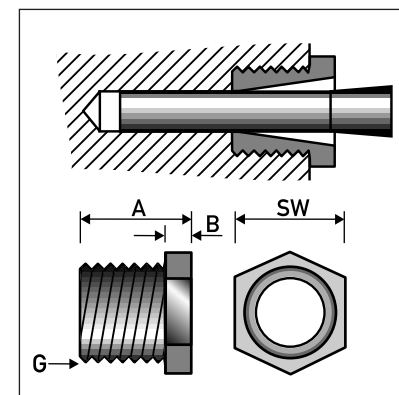
HP 10 / d (mm):	L (mm):	RL (mm):	LB (mm):	MK:	BestNr./Order N°:-
4,5	140,0	25,0	40,0 - 60,0	1	R 45 K
4,5	170,0	25,0	80,0 - 100,0	1	R 45 L
6,5	142,0	28,0	40,0 - 70,0	1	R 65 K
6,5	175,0	28,0	80,0 - 100,0	1	R 65 L
6,5	240,0	28,0	100,0 - 160,0	1	R 65 LU
8,0	155,0	32,0	40,0 - 80,0	1	R 8 K
8,0	210,0	32,0	100,0 - 130,0	1	R 8 L
8,0	240,0	33,0	130,0 - 160,0	1	R 8 LU
10,0	170,0	40,0	40,0 - 80,0	1	R 10 K
10,0	220,0	40,0	100,0 - 130,0	1	R 10 L
10,0	240,0	38,0	130,0 - 160,0	1	R 10 LU
10,0	330,0	38,0	160,0 - 250,0	1	R 10 LX
12,5	180,0	45,0	40,0 - 80,0	1	R 125 K
12,5	280,0	45,0	100,0 - 200,0	1	R 125 L
12,5	380,0	45,0	200,0 - 300,0	1	R 125 LU
16,0	200,0	45,0	40,0 - 100,0	1	R 16 K
16,0	300,0	45,0	130,0 - 200,0	2	R 16 M
16,0	400,0	45,0	250,0 - 300,0	2	R 16 L
20,0	220,0	60,0	40,0 - 100,0	2	R 20 K
20,0	300,0	60,0	130,0 - 200,0	2	R 20 M
20,0	400,0	60,0	250,0 - 300,0	2	R 20 L

HP 12 / d (Zoll):	L (mm):	RL (mm):	LB (Zoll):	MK:	BestNr./Order N°:-
1/4"	140,0	28,0	1 1/2" - 3"	1	R 14 K
1/4"	175,0	28,0	4"	1	R 14 L
3/8"	170,0	38,0	1 1/2" - 3"	1	R 38 K
3/8"	220,0	38,0	4" - 6"	1	R 38 L
3/8"	340,0	38,0	6" - 8"	1	R 38 LU
1/2"	180,0	45,0	1 1/2" - 3"	1	R 12 K
1/2"	280,0	45,0	4" - 8"	1	R 12 L
1/2"	400,0	45,0	8" - 12"	1	R 12 LU
5/8"	200,0	45,0	2" - 4"	1	R 58 K
5/8"	300,0	45,0	5" - 8"	2	R 58 M
5/8"	400,0	45,0	10"	2	R 58 L
5/8"	410,0	52,0	12"	2	R 58 LU
3/4"	220,0	60,0	2" - 4"	2	R 34 K
3/4"	300,0	60,0	5" - 8"	2	R 34 M
3/4"	400,0	60,0	12"	2	R 34 L

Ausbauhilfe für HP 10/12 / Dismantling assistance for HP 10/12

- Schnelle Entfernung defekter Heizpatronen ohne Werkzeugbeschädigung.
- Schraubnippel wiederverwendbar
- For the quick dismantling of defective cartridge heaters without damaging the mould
- The extract threaded fitting can remain in the mould for further use

ø:	A:	B:	SW:	G:	Best Nr.:	Order N°:
6,5	16	4	10	M 10 x 1	ABH 6,5	
8,0	20	5	14	M 14 x 1,5	ABH 8,0	
10,0	20	6	17	M 16 x 1,5	ABH 10	
12,5	25	7	19	M 18 x 1,5	ABH 12,5	
16,0	25	8	24	M 24 x 1,5	ABH 16	
20,0	30	10	32	M 30 x 1,5	ABH 20	
1/4"	16	4	10	M 10 x 1	ABH 1/4	
3/8"	20	6	17	M 16 x 1,5	ABH 3/8	
1/2"	25	7	19	M 18 x 1,5	ABH 1/2	
5/8"	25	8	24	M 24 x 1,5	ABH 5/8	



Wendelrohrpatronen
Coil heaters

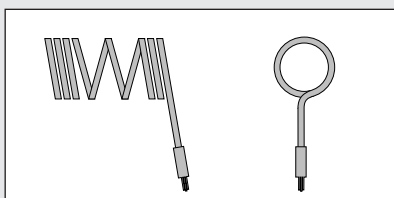
INFO: Technische Daten / Technical data



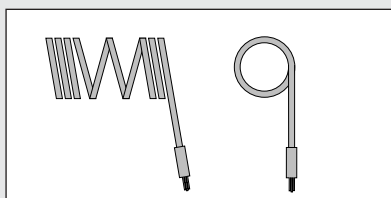
	WRP 10/12/15	WRP 20/25/30	WRP 35	WRP K
<ul style="list-style-type: none"> • Patronenmantel: • Isoliermaterial: • Heizleiterwerkstoff: • Patronenmanteltemperatur: • Isolationswiderstand (kalt): • max. Gesamtlänge (gestreckt): • Längentoleranz (kalt): • Manteloberflächenbelastung je nach Betriebstemperatur: 	3000 mm	3000 mm	3000 mm	---
	CrNi-Stahl hochverdichtetes MgO NiCr 8020 max. 750 °C 5 M bei 500 V ± 10 % (kalt)			
	WRP 15: max. 10 W/cm ² , WRP 10/12/20/25/30/35/K: max. 15 W/cm ²			
<ul style="list-style-type: none"> • Anschlußspannung (max): • Hochspannungsfestigkeit: 	250 V 800V-AC	250 V 800V-AC	440 V 1250V-AC	250 V
<ul style="list-style-type: none"> • min. Biegeradius: 	(-10) 3,0 mm (-12) 3,0 mm (-15) 3,0 mm	(-20) 3,0 mm (-25) 3,0 mm (-30) 4,0 mm	(-35) 10,0 mm	
	WRP 10/12/15	WRP 20/25/30	WRP 35	WRP K
<ul style="list-style-type: none"> • Heater sheath: • Insulation material: • Heat conductor: • Sheath temperature: • insulation resistance (cold): • max. total straight lenght: • Lenght tolerance (cold): • Wattage, depend upon application (surface loading): 	3000 mm	3000 mm	3000 mm	---
	CrNi-Stahl high compressed MgO NiCr 8020 max. 750 °C 5 M at 500 V ± 10 % (cold)			
	WRP 15: max. 10 W/cm ² , WRP 10/12/20/25/30/35/K: max. 15 W/cm ²			
<ul style="list-style-type: none"> • Voltage (max): • High voltage stability: 	250 V 800V-AC	250 V 800V-AC	440 V 1250V-AC	250 V
<ul style="list-style-type: none"> • min. bending radius: 	(-10) 3,0 mm (-12) 3,0 mm (-15) 3,0 mm	(-20) 3,0 mm (-25) 3,0 mm (-30) 4,0 mm	(-35) 10,0 mm	

Ausführungsvarianten / Exit variations:

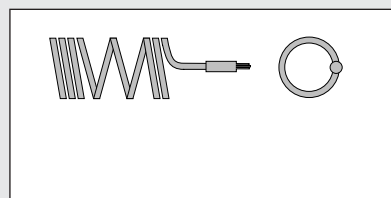
Abgang radial
Exit radial

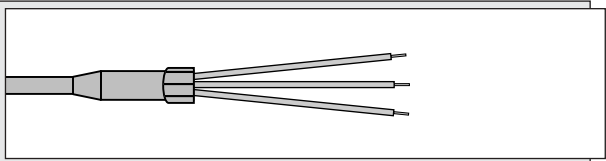
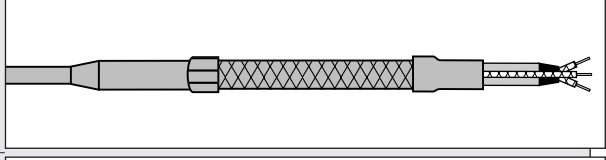
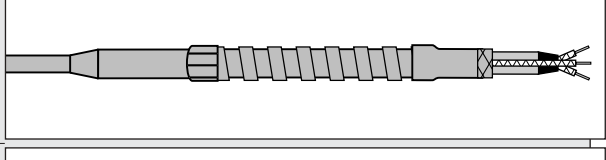
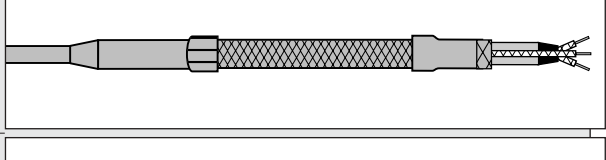
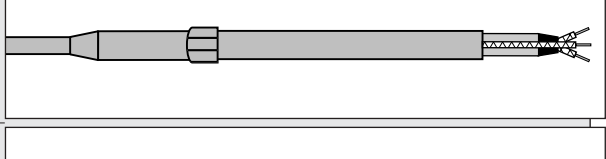
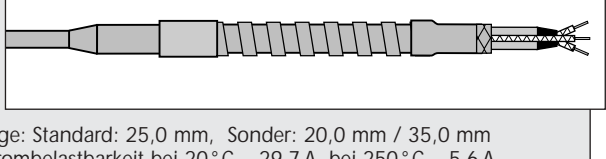
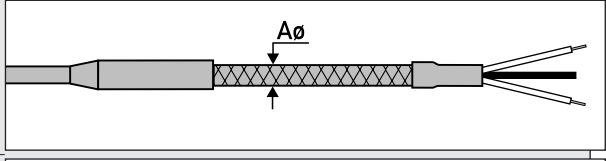
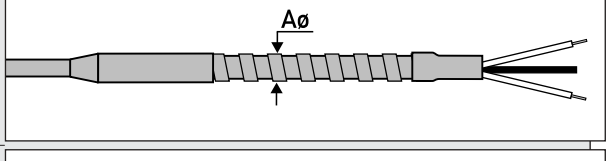
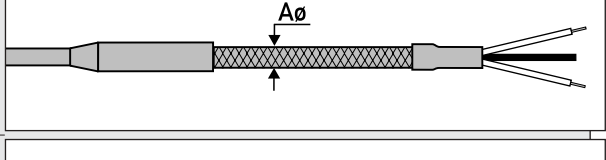
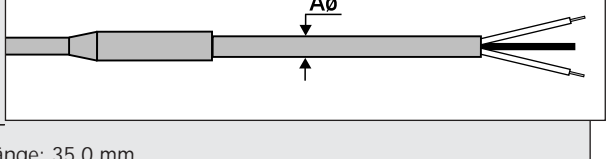


Abgang tangential
Exit tangential



Abgang axial
Exit axial



INFO: Anschlußausführungen, -varianten / Connection and lead options	
<p>N: Standard - teflonisolierte Litze, glasseidenisolierte Litze</p> <p>N: Standard - teflon insulated leads, glas silk insulated leads</p>	
<p>NG: mit glasseidenisoliertem Schutzschlauch Befestigungsring ø 10,0 mm</p> <p>NG: with glas silk insulated protection connection ring ø 10,0 mm</p>	
<p>NM: mit Metallgliederschlauch Befestigungsring ø 10,0 mm</p> <p>NM: with flexible metal sleeving connection ring ø 10,0 mm</p>	
<p>ND: mit Drahhohlgeflechtsschlauch Befestigungsring ø 10,0 mm</p> <p>ND: with flexible metal braided sleeving connection ring ø 10,0 mm</p>	
<p>NT: mit PTFE-Schlauch Befestigungsring ø 10,0 mm</p> <p>NT: with PTFE-sleeving connection ring ø 10,0 mm</p>	
<p>NSM: mit Metallgliederschlauch Befestigungsring ø 8,0 mm</p> <p>NSM: with flexible metal sleeving connection ring ø 8,0 mm</p>	
<p>Kopflänge: Standard: 25,0 mm, Sonder: 20,0 mm / 35,0 mm max. Strombelastbarkeit bei 20 °C 29,7 A, bei 250 °C 5,6 A Conn.head length: standard: 25,0 mm, special: 20,0 mm / 35,0 mm max. current at 20 °C 29,7 A, at 250 °C 5,6 A</p>	
<p>SGi: mit Glasseidenschlauch von innen heraus = A ø 5,5 mm</p> <p>SGi: with glas silk insulated sleeving exiting from inside = A ø 5,5 mm</p>	
<p>SMi: mit Metallgliederschlauch, von innen heraus = A ø 7,0 mm</p> <p>SMi: with flexible metal sleeving exiting from inside = A ø 7,0 mm</p>	
<p>SDi: mit Drahhohlgeflechtsschlauch von innen heraus = A ø 6,0 mm</p> <p>SDi: with flexible metal braided sleeving exiting from inside = A ø 6,0 mm</p>	
<p>STi: mit PTFE-Schlauch von innen heraus = A ø 5,5 mm</p> <p>STi: with PTFE-sleeving exiting from inside = A ø 5,5 mm</p>	
<p>Kopflänge: 35,0 mm max. Strombelastbarkeit bei 20 °C 4,2 A, bei 250 °C 0,8 A Conn.head length: standard: 35,0 mm max. current at 20 °C 4,2 A, at 250 °C 0,8 A</p>	

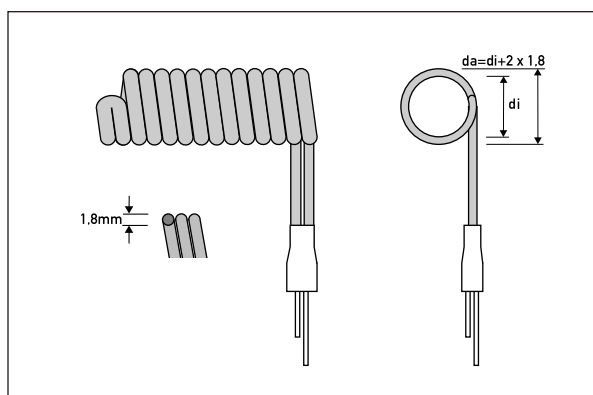
Wendelrohrpatronen
Coil heaters

WRP 10 \square 1,8mm rund/round

... Stk./ WRP 10 / 8x30 / 120 W / 230V -

- Ausführung: CrNi-Stahlmantel
Anschlußleitung: 1000 mm, teflonisoliert und Glasseiden-Schutzschlauch
- mit und ohne Reflektionsrohr lieferbar (bitte bei der Bestellung angeben)
 - innerhalb des Toleranzwertes „L“ auf gewünschte Länge dehnbar

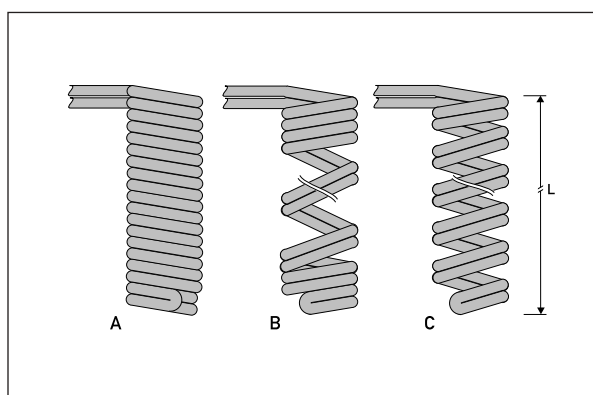
- Specification: CrNi-Steel
Connection leads: 1000 mm Teflon insulated and glass silk sleeving
- available with and without pressed on reflecting tube (please decide when ordering)



Lieferbare Standard-Ausführungen:
Available standard design:

d i:	L:	Watt / 230V:
8,0	30 - 40 mm	120
8,0	40 - 60 mm	160
8,0	60 - 80 mm	250
10,0	30 - 40 mm	140
10,0	40 - 60 mm	200
10,0	60 - 80 mm	300
12,0	30 - 40 mm	160
12,0	40 - 60 mm	230
12,0	60 - 80 mm	350
16,0	30 - 50 mm	210
16,0	40 - 70 mm	300
19,0	30 - 50 mm	250
19,0	40 - 70 mm	450

Standard Wickelschemen:
Forming specifications:

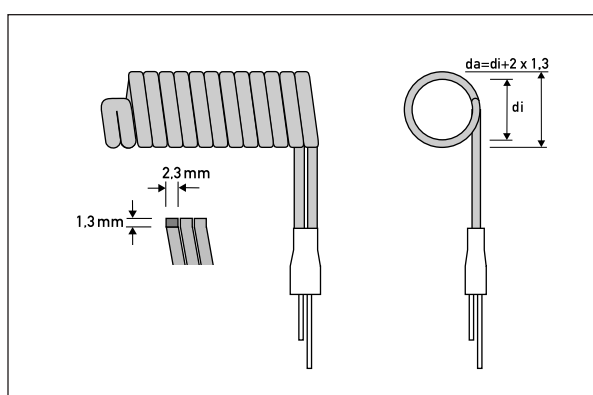


WRPF 12 \sqcap 1,3x2,3mm oval

... Stk./ WRPF 12 / 8x30 / 120 W / 230V -

- Ausführung: CrNi-Stahlmantel
Anschlußleitung: 1000 mm, teflonisoliert und Glasseiden-Schutzschlauch
- mit und ohne Reflektionsrohr lieferbar (bitte bei der Bestellung angeben)
 - innerhalb des Toleranzwertes „L“ auf gewünschte Länge dehnbar

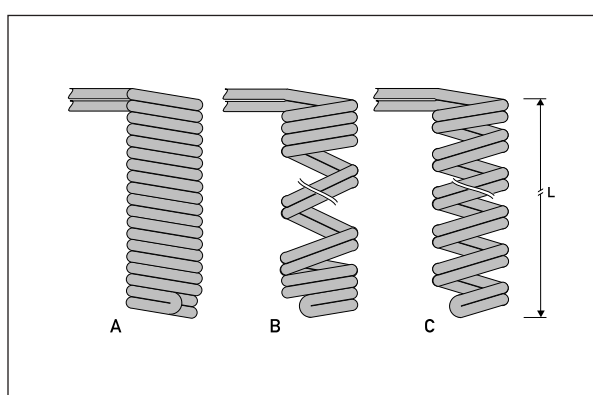
- Specification: CrNi-Steel
Connection leads: 1000 mm Teflon insulated and glass silk sleeving
- available with and without pressed on reflecting tube (please decide when ordering)



Lieferbare Standard-Ausführungen:
Available standard design:

d i:	L:	Watt / 230V:
8,0	30 - 40 mm	120
8,0	40 - 60 mm	160
8,0	60 - 80 mm	250
10,0	30 - 40 mm	140
10,0	40 - 60 mm	200
10,0	60 - 80 mm	300
12,0	30 - 40 mm	160
12,0	40 - 60 mm	230
12,0	60 - 80 mm	350
16,0	30 - 50 mm	210
16,0	40 - 70 mm	300
19,0	30 - 50 mm	250
19,0	40 - 70 mm	450

Standard Wickelschemen:
Forming specifications:



Wendelrohrpatronen mit Manschette
Coil heaters with clamping band

WRPF 15 1,3x2,3mm

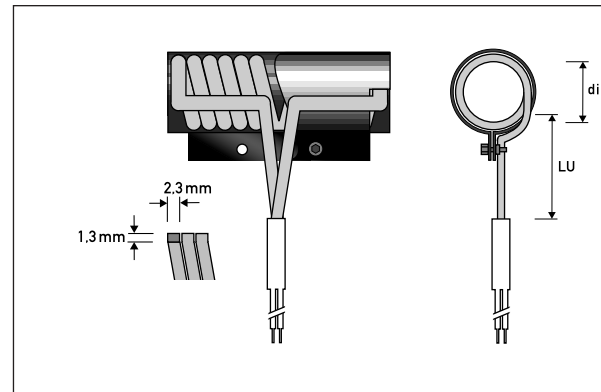
... Stk. / WRPF 15 / 19x30 / 125 W / 230V -

Ausführung: CrNi-Stahlmantel
Anschlußleitung: 1000 mm, teflonisoliert
und Glasseiden-Schutzschlauch

- mit und ohne Reflektionsrohr lieferbar
(bitte bei der Bestellung angeben)
- in Stahlmanschette eingebaut

Specification: CrNi-Steel
Connection leads: 1000 mm Teflon insulated
and glass silk sleeving

- available with and without pressed on reflecting tube
(please decide when ordering)



Lieferbare Standard-Ausführungen:
Available standard design:

d i:	L:	Watt / 230V:	LU:
19,05 (3/4")	30,5 mm	125	130 / 180 mm
19,05 (3/4")	30,5 mm	250	130 / 180 mm
19,05 (3/4")	25,4 mm	125	25 / 75 mm
19,05 (3/4")	25,4 mm	250	130 / 180 mm
22,20 (7/8")	30,5 mm	125	130 / 180 mm
22,20 (7/8")	30,5 mm	250	130 / 180 mm

Wendelrohrpatronen
Coil heaters

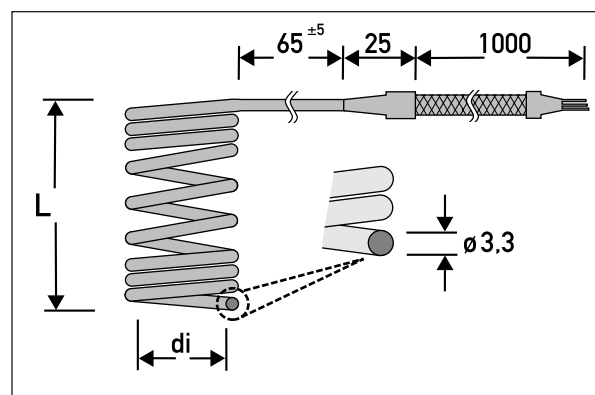
WRP 20 ∅ 3,3 mm rund/round

Material: CrNi-Stahlmantel
 Länge: 390 - 1140 mm (gestreckt)
 Beheizte Länge: 300 - 1050 mm (gestreckt)
 Unbeheizte Zone: 65,0 mm, + Anschlußkopf: 25,0 mm
 Spannung: 230 V
 Leistung: 180 - 630 W
 Anschlußleitung: Typ „N“, 1000 mm lang
 Varianten siehe Seite 3.8

- mit und ohne Thermoelement (Fe-CuNi) lieferbar

Gewendelte Ausführungen:

- Länge von 20,0 - 200,0 mm
- Durchmesser (innen) min. 10,0 mm, max. 50,0 mm
- Abgang axial, radial oder tangential lieferbar



Musterangaben / Lagertypen
Endfertigung nach Kundenspezifikation

Sample dimensions / Stock size
Production upon customers request

Material: CrNi-Steel
 Total length: 390 - 1140 mm (straight)
 Heated length: 300 - 1050 mm (straight)
 Unheated zone: 65,0 mm, + connection head: 25,0 mm
 Voltage: 230 V
 Wattage: 180 - 630 W
 Connection leads: Type „N“, 1000 mm long
 Variations see page 3.8

- with or without thermocouple (Fe-CuNi) available

Coiled models:

- Length 20,0 - 200,0 mm
- Diameter (inner) min. 10,0 mm, max. 50,0 mm
- Exit axial, radial or tangential available

Lagertypen (**gestreckt**), mit oder ohne Thermoelement Fe-CuNi:
 Stock size (**straight**), with or without thermocouple Fe-CuNi:

gesamte Länge (mm): total length (mm):	beheizte Länge (mm): heated length (mm):	Leistung (Watt): Wattage:
390	300	180
540	450	270
740	650	390
940	850	500
1140	1050	630

Beispieltabelle der aus Lagertypen produzierbaren Abmessungen und Leistungen:
 Possible wattage and dimensions coiled out of stock heaters:

d i (mm):	20	40	60	80	100	120	140	160	180	200	L (mm)
10,0		180	270	390	390	500	500	500	630	630	
12,0		180	270	390	390	500	500	630		630	
12,5		180	270	390	390	500	500	630		630	
14,0		270	390	390	500	500	630			630	
15,0		270	390	500	500	630				630	
16,0		270	390	500	500	630				630	
18,0		270	390	500	500						
20,0		270	390	500	630						
22,0	180	390	500	630	630						
24,0	185	390	500	630							
25,0 (1*)	185	390	630	630							
28,0	185	390	630								
30,0	185	500	630								
35,0	185	500									
38,0	270	500									
40,0	270	630									
45,0	270	630									
50,0 (2*)	390										Watt / Wattage

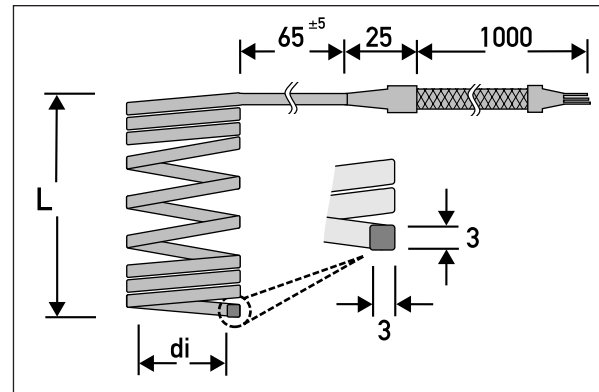
WRP 25 □ 3 x 3 mm quadratisch/squared

Material: CrNi-Stahlmantel
 Länge: 390 - 1140 mm (gestreckt)
 Beheizte Länge: 300 - 1050 mm (gestreckt)
 Unbeheizte Zone: 65,0 mm, + Anschlußkopf: 25,0 mm
 Spannung: 230 V
 Leistung: 215 - 630 W
 Anschlußleitung: Typ „N“, 1000 mm lang
 Varianten siehe Seite 3.8

- mit und ohne Thermoelement (Fe-CuNi) lieferbar

Gewendelte Ausführungen:

- Länge von 20,0 - 200,0 mm
- Durchmesser (innen) min. 10,0 mm, max. 50,0 mm
- Abgang axial, radial oder tangential lieferbar



Musterangaben / Lagertypen
 Endfertigung nach Kundenspezifikation
Sample dimensions / Stock size
 Production upon customers request

Material: CrNi-Steel
 Total length: 390 - 1140 mm (straight)
 Heated length: 300 - 1050 mm (straight)
 Unheated zone: 65,0 mm, + connection head: 25,0 mm
 Voltage: 230 V
 Wattage: 215 - 630 W
 Connection leads: Type „N“, 1000 mm long
 Variations see page 3.8

- with or without thermocouple (Fe-CuNi) available

Coiled models:

- Length 20,0 - 200,0 mm
- Diameter (inner) min. 10,0 mm, max. 50,0 mm
- Exit axial, radial or tangential available

Lagertypen (**gestreckt**), mit oder ohne Thermoelement Fe-CuNi:
 Stock size (**straight**), with or without thermocouple Fe-CuNi:

gesamte Länge (mm): total length (mm):	beheizte Länge (mm): heated length (mm):	Leistung (Watt): Wattage:
390	300	215
540	450	325
740	650	470
940	850	610
1140	1050	630

Beispieltabelle der aus Lagertypen produzierbaren Abmessungen und Leistungen:
 Possible wattage and dimensions coiled out of stock heaters:

d i (mm):	20	40	60	80	100	120	140	160	180	200	L (mm)
10,0		215	325	325	325	470	470	610	610	630	
12,0		215	325	470	470	470	610	610	610	630	630
12,5		215	325	470	470	470	610	610	610	630	
14,0		215	470	470	470	610	610	630			
15,0		325	470	610	610	610	630	630			
16,0		325	470	610	610	610	630	630			
18,0	215	325	610	610	610	630					
20,0	215	325	610	630	630	630					
22,0	215	325	610	630	630						
24,0	215	470	630								
25,0 (1*)	215	470	630								
28,0	325	470	630								
30,0	325	470									
35,0	325	610									
38,0	470	610									
40,0	470	630									
45,0	470	630									
50,0 (2*)	470										Watt / Wattage

Wendelrohrpatronen
Coil heaters

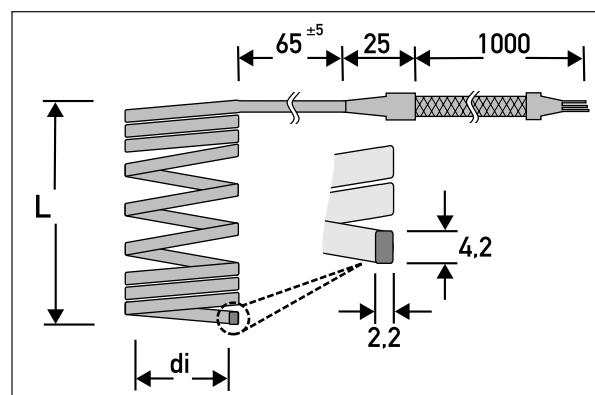
WRP 30 2,2x4,2 mm rechteckig/rectangular

Material: CrNi-Stahlmantel
 Länge: 340 - 990 mm (gestreckt)
 Beheizte Länge: 250 - 900 mm (gestreckt)
 Unbeheizte Zone: 65,0 mm, + Anschlußkopf: 25,0 mm
 Spannung: 230 V
 Leistung: 195 - 690 W
 Anschlußleitung: Typ „N“, 1000 mm lang
 Varianten siehe Seite 3.8

- mit und ohne Thermoelement (Fe-CuNi) lieferbar

Gewendelte Ausführungen:

- Länge von 20,0 - 200,0 mm
- Durchmesser (innen) min. 10,0 mm, max. 50,0 mm
- Abgang axial, radial oder tangential lieferbar



Musterangaben / Lagertypen
 Endfertigung nach Kundenspezifikation
Sample dimensions / Stock size
 Production upon customers request

Material: CrNi-Steel
 Total length: 340 - 990 mm (straight)
 Heated length: 250 - 900 mm (straight)
 Unheated zone: 65,0 mm, + connection head: 25,0 mm
 Voltage: 230 V
 Wattage: 195 - 690 W
 Connection leads: Type „N“, 1000 mm long
 Variations see page 3.8

- with or without thermocouple (Fe-CuNi) available

Coiled models:

- Length 20,0 - 200,0 mm
- Diameter (inner) min. 10,0 mm, max. 50,0 mm
- Exit axial, radial or tangential available

Lagertypen (**gestreckt**), mit oder ohne Thermoelement Fe-CuNi:
 Stock size (**straight**), with or without thermocouple Fe-CuNi:

gesamte Länge (mm): total length (mm):	beheizte Länge (mm): heated length (mm):	Leistung (Watt): Wattage:
340	250	195
370	280	215
425	335	240
475	385	295
550	460	350
610	520	400
690	600	460
850	760	610
990	900	690

Beispieltabelle der aus Lagertypen produzierbaren Abmessungen und Leistungen:
 Possible wattage and dimensions coiled out of stock heaters:

d i (mm):	20	40	60	80	100	120	140	160	180	200	L (mm)
10,0		195	240	350	350	350	400	460	460	610	
12,0		215	295	400	400	400	460	610	610	610	
12,5		215	295	400	400	400	460	610	610	690	
14,0		240	350	400	400	460	610	610	690	690	
15,0		240	400	460	460	610	610	610	690		
16,0		240	400	460	460	610	610	690	690		
18,0		295	400	610	610	610	690	690			
20,0		295	460	610	610	690	690				
22,0	195	350	610	690	690	690					
24,0	195	400	610	690	690						
25,0 (1*)	215	400	610	690	690						
28,0	215	460	690								
30,0	240	460	690								
35,0	295	610									
38,0	295	610									
40,0	295	610									
45,0	350	690									
50,0 (2*)	400	690									

Watt / Wattage

WRP M (3,3 I; 3 x 3 J; 2,2 x 4,2 J; 1,3 x 2,3 J ...mm)

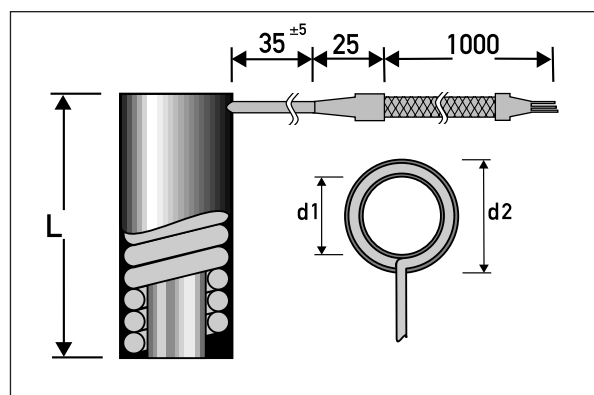
... Stk. / WRP M / WPR Mini M / 230 V

Standardangaben WRP / M

- Wendelrohrpatrone in Messing eingegossen mit Außenmantel aus Edelstahl
- Innendurchmesser und max. Länge gem. Tabelle
- Spannung: 230 V
- unbeheizte Zone: 65+25 mm
- Anschlußausführung: 1000 mm PTFE-isolierte Litze, Schutzleiter und Glasseidenschutzschlauch
- Wandstärke 4,5 bis 5,5 mm

Technical data for coil heaters from stock

- brass casted coil heater with outer tube made of stainless steel
- inner diameter and max. length according to table
- voltage: 230 V
- length of unheated zones 65 + 25 mm standard (min. 25 + 25 mm)
- connection: 1000 mm PTFE insulated leads, earth and glass silk insulated sleeving
- wall thickness of heater 4,5-5,5 mm



WRP / M

Innen-Ø mm Inner-Ø mm	max. Länge L mm max. length L mm
10 - 11	60
12 - 15	120
16 - 18	200
19 - 21	120
22 - 26	100
27 - 36	100
37 - 41	90
43	70
46	70
53	60
58	50
59	50

Optionen

- WRP / M: mit oder ohne Thermo- Element (potentialfrei oder potentialhaltig) Fe-CuNi oder NiCr-Ni lieferbar.
- WRP / Mini / M: mit separatem Mantelthermo- element lieferbar.
- andere unbeheizte Zonen (min. 25+25 mm)
- Verstärkungsrohr über der unbeheizten Zone gegen Verbiegung oder Bruch

Options

- WRP/M with or without inbuilt thermocouple (potential grounded or insulated) Fe-CuNi or NiCr-Ni
- WRP/Mini/M with separate sheath thermocouple only
- other unheated zones (min. 25 + 25 mm)
- reinforcement tube covering the unheated zone as protection against mechanical damage.

Standardangaben WRP / Mini / M

Lagertypen

- Entsprechender Düsendurchmesser, Länge und Leistung gem. Tabelle (rechts)
- Spannung 230 V
- unbeheizte Zonen: ca. 130/180 mm (* ca. 25/75 mm, siehe Tabelle)
- Anschlußausführung: 1000 mm PTFE-isolierte Litze, Schutzleiter und Glasseidenschutzschlauch
- Wandstärke: 2,5 mm

Technical data for coil heaters Mini from stock

- nozzle diameter, length and wattage according to table
- voltage: 230 V
- length of unheated zones ca. 130/180 mm (or ca. 25/75 mm, acc. table)
- connection: 1000 mm PTFE insulated leads, earth and glass silk insulated sleeving
- wall thickness of heater 2,5 mm

für Düsen-Ø in mm for Nozzles-Ø in mm	für Düsen-Ø in Zoll for Nozzles-Ø in inch	Länge L in mm length L in mm	
		25,4	30,5
19,05	3/4"	*125	125
19,05	3/4"	250	250
22,20	7/8"		125
22,20	7/8"		250

Leistung in Watt bei 230 V
wattage by 230 V

Wendelrohrpatronen
Coil heaters

WRP 35 4,6x8,6 mm oval

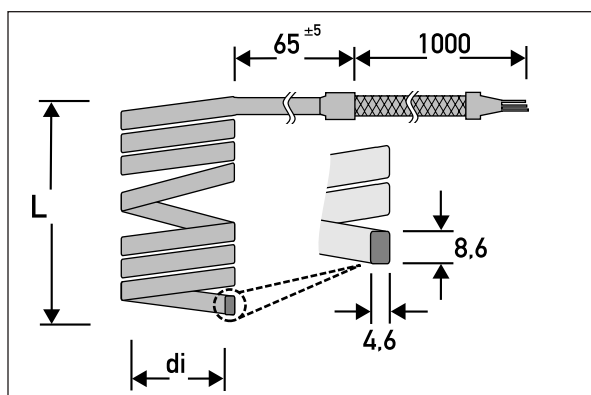
... Stk./ WRP 35 / ??????? / W / 230V -

Material: CrNi-Stahlmantel
Länge: 315 - 915 mm (gestreckt)
Beheizte Länge: 250 - 850 mm (gestreckt)
Unbeheizte Zone: 65,0 mm
Spannung: 230 V
Leistung: 300 - 1000 W
Anschlußleitung: Typ „N“, 1000 mm lang
Varianten siehe Seite 3.8

- mit und ohne Thermoelement (Fe-CuNi) lieferbar

Gewendelte Ausführungen:

- Länge von 40,0 - 160,0 mm
- Durchmesser (innen) min. 20,0 mm, max. 100,0 mm
- Abgang axial, radial oder tangential lieferbar



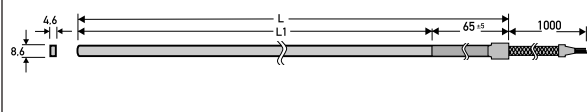
Material: CrNi-Steel
Total length: 315 - 915 mm (straight)
Heated length: 250 - 850 mm (straight)
Unheated zone: 65,0 mm
Voltage: 230 V
Wattage: 300 - 1000 W
Connection leads: Type „N“, 1000 mm long
Variations see page 3.8

- with or without thermocouple (Fe-CuNi) available

Coiled models:

- Length 40,0 - 160,0 mm
- Diameter (inner) min. 20,0 mm, max. 100,0 mm
- Exit axial, radial or tangential available

Lagertypen (gestreckt), mit oder ohne Thermoelement Fe-CuNi:
Stock size (straight), with or without thermocouple Fe-CuNi:



Musterangaben / Lagertypen
Endfertigung nach Kundenspezifikation
Sample dimensions / Stock size
Production upon customers request

Lagertypen (gestreckt), mit oder ohne Thermoelement Fe-CuNi:
Stock size (straight), with or without thermocouple Fe-CuNi:

gesamte Länge (L mm): Total length (L mm):	Beheizte Länge (L1 mm): Heated length (L1 mm):	Leistung (Watt): Wattage:
315	250	300
415	350	450
515	450	550
715	650	800
915	850	1000

Beispieltabelle der aus Lagertypen produzierbaren Abmessungen und Leistungen:
Possible wattage and dimensions coiled out of stock heaters:

d i (mm):	40	60	80	100	120	140	160	d i (mm):	40	60	80	L (mm)
20,0	300	450	550	550	800	800	800	62,0	300	800	1000	
22,0	300	450	550	800	800	800	800	64,0	300	800	1000	
24,0	300	550	550	800	800	800	1000	66,0	300	800		
26,0	300	550	550	800	1000	1000	1000	68,0	300	800		
28,0	450	550	550	800	1000	1000	1000	70,0	300	800		
30,0	450	550	550	800	1000	1000	1000	72,0	300	800		
32,0	450	550	800	1000	1000	1000		74,0	300	800		
34,0	450	800	800	1000	1000			76,0	300	1000		
36,0	450	800	800	1000				78,0	300	1000		
38,0	550	800	800	1000				80,0	300	1000		
40,0	550	800	800	1000				82,0	300	1000		
42,0	550	1000	1000					84,0	300	1000		
44,0	550	1000	1000					86,0	300	1000		
46,0	550	1000	1000					88,0	450	1000		
48,0	550	1000	1000					90,0	450	1000		
50,0 (2")	550	1000	1000					92,0	450	1000		
52,0	550	1000	1000					94,0	450	1000		
54,0	550							96,0	450	1000		
56,0	800							98,0	450	1000		
58,0	800							100,0	450	1000		
60,0	800											

WRP 35 M \cup 4,6x8,6 mm, in Stahlmanschette / with clamping band

Material: CrNi-Stahlmantel
 Länge: min. 22,0 - max. 38,0 mm
 Durchmesser (innen): min. 30,0 mm, max. 50,8 mm
 Unbeheizte Zone: 45,0 mm
 Spannung: 230 V
 Leistung: 300 - 500 W
 Anschlußleitung: Typ „N“, 1000 mm lang
 Varianten siehe Seite 3.8

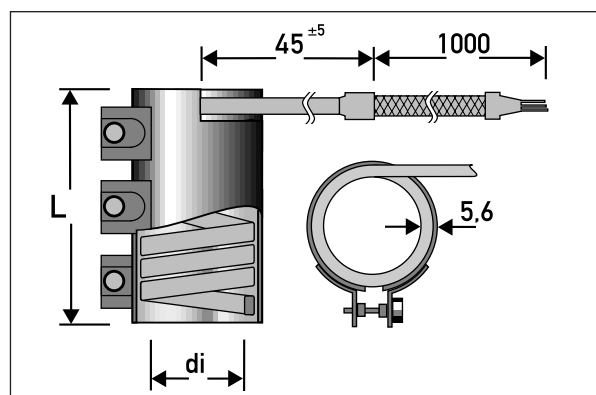
- mit und ohne Thermoelement (Fe-CuNi) lieferbar

*2) Abgang radial 45° oder tangential lieferbar

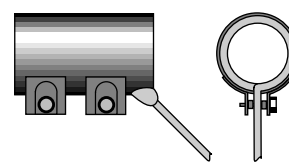
Material: CrNi-Steel
 Length: min. 22,0 - max. 38,0 mm
 Diameter (inner): min. 30,0 mm, max. 50,8 mm
 Unheated zone: 45,0 mm
 Voltage: 230 V
 Wattage: 300 - 500 W
 Connection leads: Type „N“, 1000 mm long
 Variations see page 3.8

- with or without thermocouple (Fe-CuNi) available

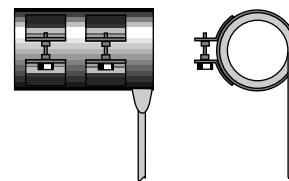
*2) Exit radial 45° or tangential available



*2 „Radial 45°“ (r)



*2 „Tangential“ (t)



Lagertypen, mit oder ohne Thermoelement Fe-CuNi:
 Stock size, with or without thermocouple Fe-CuNi:

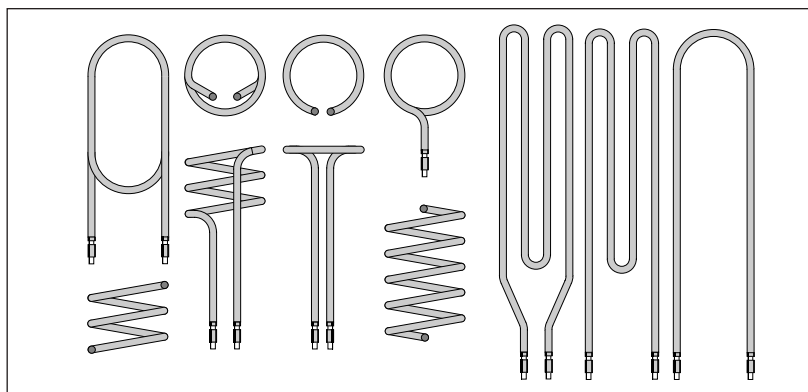
\varnothing d i:	L: (\pm 0,5 mm)	Watt / 230V:
30,0	30,0 mm	300
30,0	38,0 mm	400
40,0	30,0 mm	450
50,0	34,0 mm	500
<hr/>		
42,0	22,0 mm	350
44,4	34,9 mm	450
50,8	25,4 mm	350
<hr/>		
32	30,0 mm	350
38	32,0 mm	500

Musterangaben / Lagertypen
 Endfertigung nach Kundenspezifikation

Sample dimensions / Stock size
 Production upon customers request

Rohrheizkörper
Tubular heating elements

INFO



Materialangabe, max. Oberflächentemperatur

- 1.) Kupfermantel max. 250°C
- 2.) Stahlmantel St 35 max. 400°C
- 3.) Edelstahl 1.4541 max. 750°C
- 4.) Edelstahl 1.4571 max. 750°C
- 5.) Edelstahl 1.4435 max. 750°C
- 6.) Edelstahl 1.4828 max. 900°C
- 7.) Edelstahl 1.4876 max. 1000°C

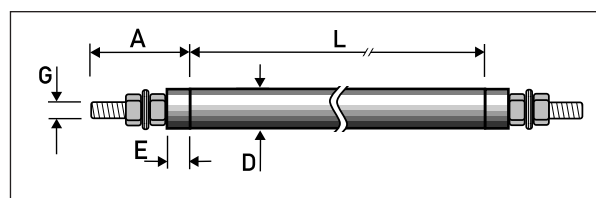
Tubular casing material, max. surface load

- 1.) Copper max. 250°C
- 2.) Steel St 35 max. 400°C
- 3.) Special steel 1.4541 max. 750°C
- 4.) Special steel 1.4571 max. 750°C
- 5.) Special steel 1.4435 max. 750°C
- 6.) Special steel 1.4828 max. 900°C
- 7.) Special steel 1.4876 max. 1000°C

Verwendungszweck	Application	max. Mediumtemperatur max. medium temperature	max. Rohroberflächenbelastung (W/cm²) max. pipe surface load (W/cm²)	max. Rohroberflächenbelastung (W/cm²) max. pipe surface load (W/cm²)							
				1.)	2.)	3.)	4.)	5.)	6.)	7.)	
1. Wasser											
Kreislaufwasser	circulating water	100	10	K	K	K	K	K	K	K	
- destilliert	- distilled	100	8	K	K	K	K	K	K	K	
Brauchwasser	industrial water	60	4 - 6	K	K	K	K	K	K	K	
Dampferzeugung	steam generation	100	5	K	K	K	K	K	K	K	
2. Öle											
Schweröl	heavy oil	100	0,8 - 1	K	K	K	K	K	K	K	
Schmieröl	lubricating oil	40	1	K	K	K	K	K	K	K	
Hydrauliköl	hydraulic oil	40	0,8 - 1,5	K	K	K	K	K	K	K	
Heizöl	heating oil	20	4	K	K	K	K	K	K	K	
Thermalöl	thermal oil	250	3	K	K	K	K	K	K	K	
3. div. Flüssigkeiten											
Fotoentwickler	photogr. developer	40	5	K	K	K	K	K	K	K	
Milch	milk	50	1	K	K	K	K	K	K	K	
Natronlauge	caustic soda	100	2	K	K	K	K	K	K	K	
Säuren (dünn)	acids (thin-bodied)	100	2	K	K	K	K	K	K	K	
Laugen (dünn)	lyes (thin-bodied)	100	4	K	K	K	K	K	K	K	
Phosphatierbad	phosphating bath	90	3	K	K	K	K	K	K	K	
P3-Entfettung	P3-degreasing	60	4	K	K	K	K	K	K	K	
Brünierbad	burnishing bath	-	2	K	K	K	K	K	K	K	
Kohlensäure	carbonic acid	20	3	K	K	K	K	K	K	K	
Diphyl	diphyl	350	1,5	K	K	K	K	K	K	K	
Frittierfett	frying fat	200	4	K	K	K	K	K	K	K	
Glyzerin	glycerin	110	3	K	K	K	K	K	K	K	
Salzschmelze	salt melting	400	2	K	K	K	K	K	K	K	
Bleibad	lead bath	500	4	K	K	K	K	K	K	K	
Tri	trie	80	1,5	K	K	K	K	K	K	K	
Wachs	wax	60	1	K	K	K	K	K	K	K	
Teer	tar	150	1	K	K	K	K	K	K	K	
4. Luft											
Abtau-H/h	defrosting	-	1	K	K	K	K	K	K	K	
Grillheizkörper	grill heating element	-	4 - 6	K	K	K	K	K	K	K	
Luft, ruhend	air, resting	lt. Diagramm	1 - 6	K	K	K	K	K	K	K	
Luft, bewegt	air, moving	lt. Diagramm	1 - 8	K	K	K	K	K	K	K	
Strahlungsh.	radiating heat	-	3 - 5	K	K	K	K	K	K	K	
Klimageräte	air-conditioning	-	0,5 - 3	K	K	K	K	K	K	K	
Umluft	circulating air	300	2 - 4	K	K	K	K	K	K	K	
5. Feste Stoffe											
Aluminium	aluminium	400	8	K	K	K	K	K	K	K	
Metall	metal	-	6	K	K	K	K	K	K	K	
Walzen	rolls	300	2,5	K	K	K	K	K	K	K	

RHK

- Erwärmung von Gasen, Flüssigkeiten und Feststoffen
- Heating of gas, fluids and solid matters



Lagertypen:
Stock size:

D: (mm)	L: (mm)	LU: (mm)	A: (mm)	G:	E: (mm)
6,5	200,0 - 3.000,0	50,0	15,0 - 20,0	M 3	5,0
8,5	200,0 - 7.000,0	50,0	20,0 ± 2,0	M 4	5,0
11,5	200,0 - 6.700,0	65,0	22,0 ± 2,0	M 5	6,0
16,0	500,0 - 6.500,0	100,0	25,0	M 6	12,0

Folgende Werkstoffe sind lieferbar:
available materials:

D: (mm)

6,5

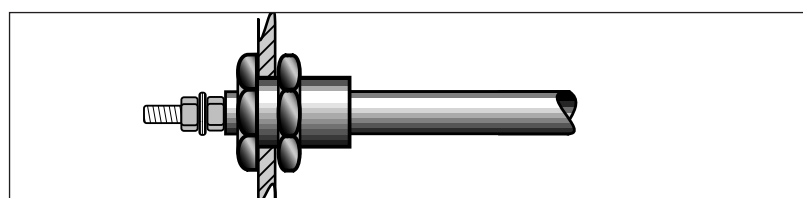
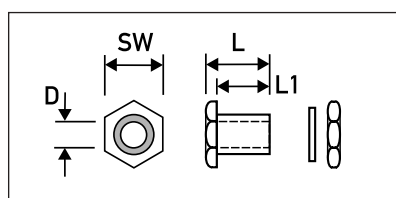
8,5

11,5

16,0

Kupfer Copper	St 35 St 35	Edelstahl, Werkstoff-Nr.: Special steel, material-No.:
κ	κ	1.4541 1.4828 1.4876
κ	κ	1.4404 1.4541 1.4571 1.4828 1.4876 2.4858
κ	κ	1.4571 1.4876
κ	κ	1.4571 1.4848 1.4876

Befestigungsrippel / Fixing nipple



D: (mm)	Gewinde: Thread:	SW:	L:	L1: (mm)	Material:
6,5	M 14 x 1,5	19	16,0	12,0	Ms κ St. κ 1.4305 κ κ
8,5	M 14 x 1,5	19	16,0	12,0	κ κ κ
8,5	M 14 x 1,5	19	21,0	17,0	κ κ κ
8,5	M 14 x 1,5	19	29,0	25,0	κ κ κ
8,5	M 14 x 1,5	19	34,0	30,0	κ κ κ
11,5	M 18 x 1,5	24	21,0	17,0	κ κ κ
11,5	M 18 x 1,5	24	29,0	25,0	κ κ κ
16,0	M 24 x 1,5	32	25,0	20,0	κ κ κ

κ nicht lieferbar / not available

Einschraub-Heizkörper
Screw-in heating elements

ERC-, ERS-, ERK -
... Stk./ ERC 20 / 1500 W / 230V -

Betriebsspannungen:
Main supply:

Typenschlüssel: • mit - / ◦ ohne Anschluß-Haube
Type-design: • with- / ◦ without hood

Einschraubheizkörper mit **Chromnickelmantel** / Screw-in type heating elements with **chrome-nickel steel casing**

ERC	◦			
ERC H	•			
ERC H/50	•	500mm Einbaulänge		500mm built-in length
ERC T	◦	Temperatur-Regler		thermostat
ERC B	◦	Temperatur-Begrenzer		temperature-limiter
ERC U	◦	Trockengehschutz		protection against dry operation

Einschraubheizkörper mit **Stahlmantel** / Screw-in type heating elements with **steel casing**

ERS	◦			
ERS H	•			
ERS T	◦	Temperatur-Regler		thermostat
ERS B	◦	Temperatur-Begrenzer		temperature-limiter
ERS U	◦	Trockengehschutz		protection against dry operation

Einschraubheizkörper mit **Kupfermantel** / Screw-in type heating elements with **copper casing**

ERK	◦			
ERK H	•			
ERK T	◦	Temperatur-Regler		thermostat
ERK B	◦	Temperatur-Begrenzer		temperature-limiter
ERK U	◦	Trockengehschutz		protection against dry operation
ERK T Bi /	◦	Temperatur-Regler und Begrenzer, isoliert		thermostat and temperature-limiter, isolated
ERK T Bi R /	◦	Temperatur-Regler und Begrenzer, isoliert, reduzierte Leistung		thermostat and temperature-limiter, isolated, reduced supply

Lagertypen / Stock size:

ohne Haube: without hood:	Haube IP30: Hood IP30:	Haube IP30 + Regler: Hood IP30 + thermostat:	L (mm):	Leistung: Rating:	Oberflächenbelastung: surface load:	
				Volt	Watt:	
					max. W / cm ² :	
ERC / 20	ERCH / 20	ERCT / 20	200	230/400	1500	5,9
ERC / 25	ERCH / 25	ERCT / 25	250	230/400	2000	6,0
ERC / 35	ERCH / 35	ERCT / 35	350	230/400	3000	6,0
ERC / 45	ERCH / 45	ERCT / 45	450	230/400	4500	6,9
ERC / 65	ERCH / 65	ERCT / 65	650	230/400	6000	6,2
ERC / 65	ERCH / 65	ERCT / 65	650	230/400	9000	9,2
ERC / 80	ERCH / 80	ERCT / 80	800	230/400	9000	7,4

Folgende Varianten sind lieferbar:
Folgende Varianten sind lieferbar:

Rohrmantel / Tubular casing	Kupfer Copper	St 35 St 35	Edelstahl, Werkstoff-Nr.: Stainless steel, Material-N°:					
	κ	κ	1.4404	1.4541	1.4571	1.4828	1.4876	2.4858

Verschraubungen / Screws

MS:	R2" R1 1/4" R1 1/2"
Stahl 1.4571:	R1" R3/4"

3.19 WEMA Beheizungstechnik GmbH • D-58515 Ludenscheid • Kalver Str. 28 • Tel. 0 23 51 / 93 95 - 0 • Fax 0 23 51 / 93 95 - 33 • e-mail: WEMA-GmbH@t-online.de